

TGL 型鼓形齿式联轴器 (JB/T 5514-1991)

◆ 结构特点:

- 本联轴节为鼓形齿，而非直齿。
- 具有较高的缓冲减震性能，并且较大幅度的轴向、角向、径向位移偏差的补偿能力。
- 由于工程塑料与金属件的配合，具有良好的自润滑性能，是十分理想的近似万向弹性联轴器。
- 外壳模具成型简化了加工工艺，成本低。使用环境温度 $-20^{\circ}\text{C}\sim+80^{\circ}\text{C}$
- 装配维修特别简单。

B 型或 C 型的外壳可制成钢件，以传递更大的转矩。

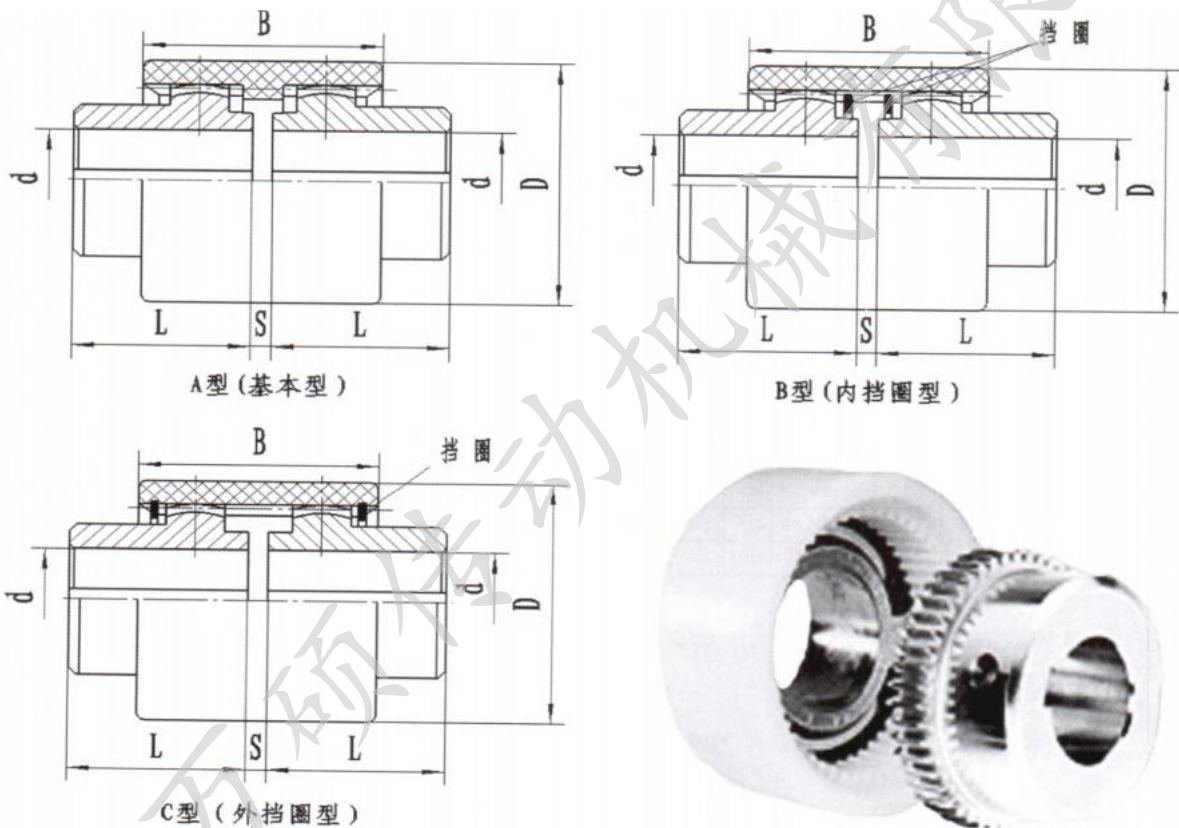
◆ 标记示例:

■ 选用 B 型 TGL8 鼓形齿式联轴器

主动端: J1 型轴孔, A 型键槽 $d=30, L=60$ 从动端: J1 型轴孔, A 型键槽 $d=40, L=84$

联轴器: TGL8B $\frac{J130\times60}{J140\times84}$ JB/T 5514-1991

如选用 TGL8A 型联轴器“A”可不标注



- ### ◆ 注意:
1. 设计选型时, 要作转矩的计算, 并考虑转矩变化, 起动频繁、环境条件, 合理的选择工况系数。
 2. 灰尘较大的场地, 用 C 型结构较好。
 3. 装配时勿将杂物留在腔内。
 4. 装配好后, 内齿圈应能用手自由滑动。
 5. 小规格可采用螺钉拧紧。

TGL 型鼓形齿式联轴器

基本参数和主要尺寸 (JB/T 5514-1991)

| 型号 | 主要尺寸 | | | | | 轴孔直径 | 轴孔长度 | 公称转矩 | 许用转速 | 转动惯量 | | 重量 | | 许用补偿量 | | |
|------|------|-----|------|----|---|----------------|------|------|-------|---------|---------|-------------------|-------|-------|----|----|
| | D | | B | | S | | | | | d | L | kg·m ² | | kg | | 径向 |
| | A、B型 | C型 | A、B型 | C型 | | A、B型 | C型 | A、B型 | C型 | | | mm | (°) | | | |
| TGL1 | 40 | — | 38 | — | 4 | 6, 7 | 16 | 10 | 10000 | 0.00003 | — | 0.20 | — | 0.3 | ±1 | ±1 |
| | | | | | | 8, 9 | 20 | | | | | | | | | |
| | | | | | | 10, 11 | 22 | | | | | | | | | |
| | | | | | | 12, 14 | 27 | | | | | | | | | |
| TGL2 | 48 | — | 38 | — | 4 | 8, 9 | 20 | 16 | 9000 | 0.00006 | — | 0.278 | — | 0.3 | ±1 | ±1 |
| | | | | | | 10, 11 | 22 | | | | | | | | | |
| | | | | | | 12, 14 | 27 | | | | | | | | | |
| | | | | | | 16, 18, 19 | 30 | | | | | | | | | |
| TGL3 | 56 | 58 | 42 | 52 | 4 | 10, 11 | 22 | 31.5 | 8500 | 0.00012 | 0.00015 | 0.428 | 0.533 | 0.4 | ±1 | ±1 |
| | | | | | | 12, 14 | 27 | | | | | | | | | |
| | | | | | | 16, 18, 19 | 30 | | | | | | | | | |
| | | | | | | 20, 22, 24 | 38 | | | | | | | | | |
| TGL4 | 66 | 70 | 46 | 56 | 4 | 12, 14 | 27 | 45 | 8000 | 0.00033 | 0.0004 | 0.815 | 0.869 | 0.4 | ±1 | ±1 |
| | | | | | | 16, 18, 19 | 30 | | | | | | | | | |
| | | | | | | 20, 22, 24 | 38 | | | | | | | | | |
| | | | | | | 25, 28 | 44 | | | | | | | | | |
| TGL5 | 75 | 85 | 48 | 58 | 4 | 14 | 27 | 63 | 7500 | 0.00072 | 0.00088 | 1.39 | 1.52 | 0.4 | ±1 | ±1 |
| | | | | | | 16, 18, 19 | 30 | | | | | | | | | |
| | | | | | | 20, 22, 24 | 38 | | | | | | | | | |
| | | | | | | 25, 28 | 44 | | | | | | | | | |
| TGL6 | 82 | 90 | 48 | 58 | 4 | 16, 18, 19 | 30 | 80 | 6700 | 0.0012 | 0.0015 | 2.02 | 2.15 | 0.4 | ±1 | ±1 |
| | | | | | | 20, 22, 24 | 38 | | | | | | | | | |
| | | | | | | 25, 28 | 44 | | | | | | | | | |
| | | | | | | 30, 32, 35, 38 | 60 | | | | | | | | | |
| TGL7 | 92 | 100 | 50 | 60 | 4 | 20, 22, 24 | 38 | 100 | 6000 | 0.0024 | 0.0027 | 3.01 | 3.14 | 0.4 | ±1 | ±1 |
| | | | | | | 25, 28 | 44 | | | | | | | | | |
| | | | | | | 30, 32, 35, 38 | 60 | | | | | | | | | |
| | | | | | | 40, 42 | 84 | | | | | | | | | |
| TGL8 | 100 | 100 | 50 | 60 | 4 | 22, 24 | 38 | 140 | 5600 | 0.0037 | 0.0039 | 4.06 | 4.18 | 0.4 | ±1 | ±1 |
| | | | | | | 25, 28 | 44 | | | | | | | | | |
| | | | | | | 30, 32, 35, 38 | 60 | | | | | | | | | |
| | | | | | | 40, 42, 45, 48 | 84 | | | | | | | | | |

TGL 型鼓形齿式联轴器

基本参数和主要尺寸 (JB/T 5514-1991)

| 型号 | 主要尺寸 | | | | 轴孔直径 | 轴孔长度 | 公称扭矩 | 需用转速 | 转动惯量 | | 重量 | | 许用补偿量 | | | |
|-------|------|-----|------|-----|------|----------------------------|------|------|------|--------|--------|-------------------|-------|-----|----|-----|
| | D | | B | | | | | | S | d | L | kg·m ² | | kg | | 径向 |
| | A、B型 | C型 | A、B型 | C型 | mm | | N·m | rpm | | A、B型 | C型 | A、B型 | C型 | mm | | (°) |
| TGL9 | 140 | 140 | 72 | 85 | 4 | 25, 28 | 44 | 355 | 4000 | 0.0155 | 0.0166 | 8.25 | 8.51 | 0.6 | ±1 | ±1 |
| | | | | | | 30, 32, 35, 38 | 60 | | | | | | | | | |
| | | | | | | 40, 42, 45, 48, 50, 55, 56 | 84 | | | | | | | | | |
| | | | | | | 60, 63, 65, 70 | 107 | | | | | | | | | |
| TGL10 | 175 | 175 | 95 | 95 | 6 | 30, 32, 35, 38 | 60 | 710 | 3150 | 0.052 | 0.0535 | 16.92 | 17.10 | 0.7 | ±1 | ±1 |
| | | | | | | 40, 42, 45, 48, 50, 55, 56 | 84 | | | | | | | | | |
| | | | | | | 60, 63, 65, 70, 71, 75 | 107 | | | | | | | | | |
| | | | | | | 80, 85 | 132 | | | | | | | | | |
| | | | | | | 40, 42, 45, 48, 50, 55, 56 | 84 | | | | | | | | | |
| TGL11 | 210 | 210 | 102 | 102 | 8 | 40, 42, 45, 48, 50, 55, 56 | 84 | 1250 | 3000 | 0.1624 | 0.165 | 34.26 | 34.56 | 0.8 | ±1 | ±1 |
| | | | | | | 60, 63, 65, 70, 71, 75 | 107 | | | | | | | | | |
| | | | | | | 80, 85, 90, 95 | 132 | | | | | | | | | |
| | | | | | | 100, 110 | 167 | | | | | | | | | |
| | | | | | | 50, 55, 56 | 84 | | | | | | | | | |
| TGL12 | 270 | 270 | 135 | 135 | 10 | 50, 55, 56 | 84 | 2500 | 2120 | 0.4674 | 0.4731 | 66.42 | 66.86 | 1.1 | ±1 | ±1 |
| | | | | | | 60, 63, 65, 70, 71, 75 | 107 | | | | | | | | | |
| | | | | | | 80, 85, 90, 95 | 132 | | | | | | | | | |
| | | | | | | 100, 110, 120, 125 | 167 | | | | | | | | | |
| | | | | | | 50, 55, 56 | 84 | | | | | | | | | |